

# 99-channel wireless calling server ZJ-45H User Manual

## Introduction

Thanks for choosing this wireless calling system. The receiver uses RF wireless and learning code technology. It can pair up to 1799 wireless calling transmitters. And the receiver adopts advanced micro processor and high-sensitivity superheterodyne receiving technology which make the products very stable. Also it has adjustable voice prompt, different calling records display, and LED digital display functions.

The wireless calling system has millions of different code which can be paired easily and freely. And it is widely used in restaurant, cafe, bar, tea shop, KTV, bank, office, factory, hotel, hospital and so on.

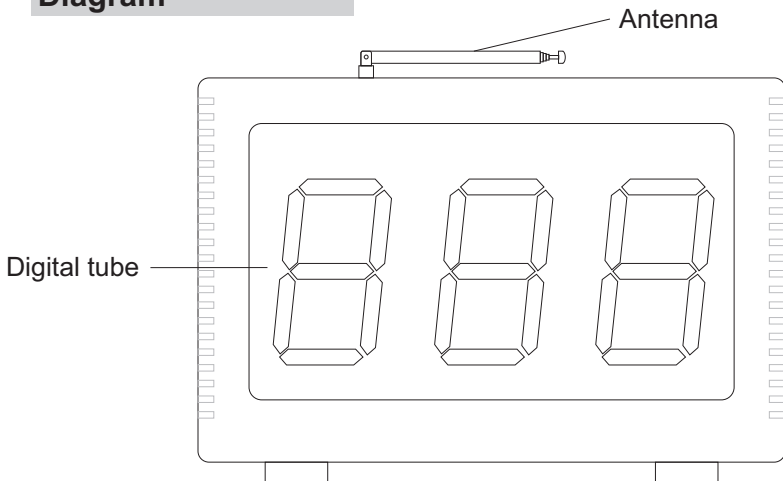
## Feature

- Big digital tube display
- 4 different calling voice prompt
- 4 kinds of calling service
- Up to support 1799 transmitters
- 20 calling records
- Support 1/2/3/4/6-button modes transmitter
- Volume adjustable
- Self-detective when power on
- Delete calling records freely
- Multiple calling records display: fixed, flicker, circle

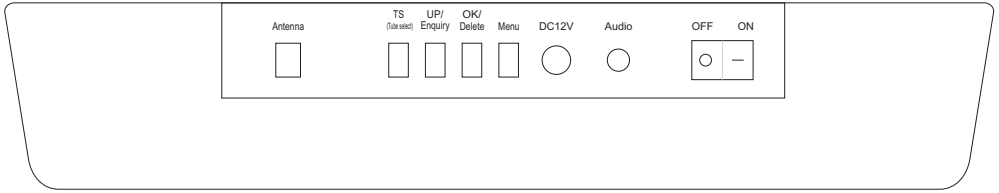
## Technical data

Working frequency: 433.92MHz  
Sensitivity: >108dB  
Working current: 345mA  
Standby current: 112mA  
Working voltage: DC12V/1A  
Decoding mode: learning code  
Modulation: AM

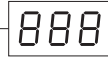
## Diagram



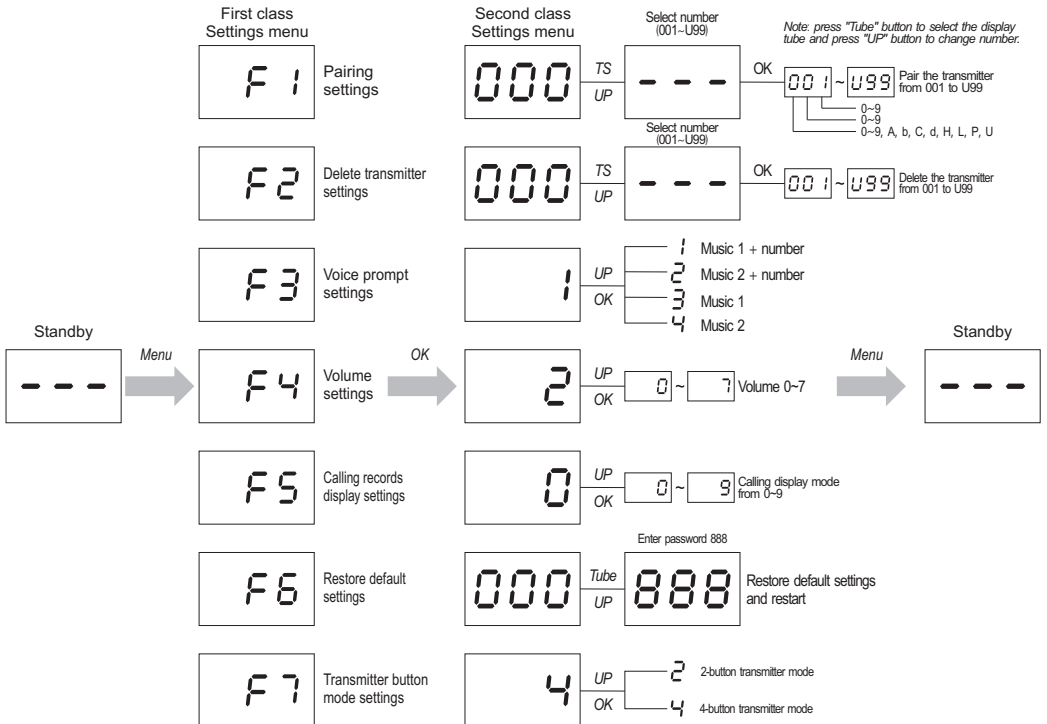
# Introduction of button



- TS:** Tube select from the 3 tubes
- UP/Enquiry:** Page up or add the number  
Browse the calling records
- OK/Delete:** Confirm settings  
Delete the calling records
- Menu:** go to settings
- DC12V:** Connect DC12V power adapter
- Audio:** Audio output
- ON/OFF:** Power ON/OFF



## Chart of settings menu



SET/UP/DOWN/BACK — press the button on the receiver host

## Method of settings

1. Power on the receiver, the receiver executes the self-detective program, and the display shows from 000 to 999 digitals, after that, it goes into standby status.

In the standby status, press the "Menu" button, the display shows F1, then press "UP" button to select the function from F1~F7, and then press "OK" button to go to the corresponding settings.

2. F1 -- Pair the transmitters to the receiver

In the F1 settings, press "TS" button to select one of the tubes. The left tube shows "0~9, A, b, C, D, H, L, P, U" 18 digits. The middle and right tubes show the "0~9" digits. There are 1799 (except 000) different numbers from 001 to U99. Press "UP" button to select the numbers. After that, press "OK" button, and trigger the transmitter which will be paired. While the receiver gets the wireless signal, it sounds voice prompt and goes to the next number. Press "Menu" button to back previous menu.

3. F2 -- Delete the paired transmitters

In the F2 settings, press "TS" and "UP" to select the number which will be deleted. Press "OK" button to delete. Press "Menu" button to back previous menu.

4. F3 -- Select the voice prompt mode

In the F3 settings, press "UP" button to select the voice prompt mode from 1~4. They are:

- 1: Music 1 + Number
- 2: Music 2 + Number
- 3: Music 1
- 4: Music 2

5. F4 -- Volume

In the F4 settings, press "UP" button to select the volume of voice prompt from 0~7 (0 is silent).

6. F5 -- Calling records display settings

In the F5 settings, press "UP" button to select the calling records display from 0~9. They are:

- 0: rolling display off
- 1: rolling display on, interval time is 2 sec
- 2: rolling display on, interval time is 3 sec
- 3: rolling display on, interval time is 5 sec
- 4: rolling display on, interval time is 8 sec
- 5: rolling display on, interval time is 13 sec
- 6: rolling display on, interval time is 18 sec
- 7: rolling display on, interval time is 25 sec

8: rolling display on, interval time is 30 sec

9: rolling display on, interval time is 40 sec

#### 7. F6 -- Restore factory default

In the F6 settings, enter password "888" through the button "TS" and "UP", and then press "OK" button to reload factory default and restart the receiver. The factory default is: no paired transmitter, voice prompt mode is 1, volume is 2, and rolling display is off.

#### 8. F7 -- 2/4-button mode

In the F7 settings, press "UP" button to select 2 or 4 to select 2-button or 4-button mode. 2-button mode is used for 1-button, 2-button transmitters  
4-button mode is used for 3-button, 4-button or 6-button transmitters.

## Calling operation

1-button transmitter			2-button transmitter			4-button transmitter			3/6-button transmitter		
button	voice	display	button	voice	display	button	voice	display	button	voice	display
call	No.1 calls	001	call	No.1 calls	001	call	No.1 calls	001	call	No.1 calls	001
			clear			service	No.1 is in need of service	001	payment	No.1 makes the payment	001
						payment	No.1 makes the payment	001	clear		
						clear					

## Packing list

Name	Quantity
Receiver host	1 pcs
Power adaptor	1 pcs
User manual	1 pcs
Warranty card	1 pcs

## FAQ

Problems	Reasons	Solutions
While power on, the receiver host has no response.	The power adaptor is broken.	Change the power adaptor.
The transmitting of some transmitters is not enough.	The power of battery is low.	Change the battery.
Receiver host cannot get some transmitters of them.	These transmitters are deleted.	Pair these transmitters again to the receiver host.
No voice prompt while power on or calling.	The volume is lowest.	Adjust the volume louder.

## Optional transmitters

1-button mode: YK500-1E/F, YK1000-1C, YK200-1C, TSYK200-1, YK500-1H

2-button mode: YK1000-2C, TSYK500-2X, YK500-2H, TSYK1000-2X

3-button mode: YK500-3H

4-button mode: YK500-4X, YK500-4H, TSYK1000-4B, TSYK1000-4X,  
TSYK2000-4X

6-button mode: TSYK500-6

## Notice

While it is working, please pull the antenna out for the best receiving effect.